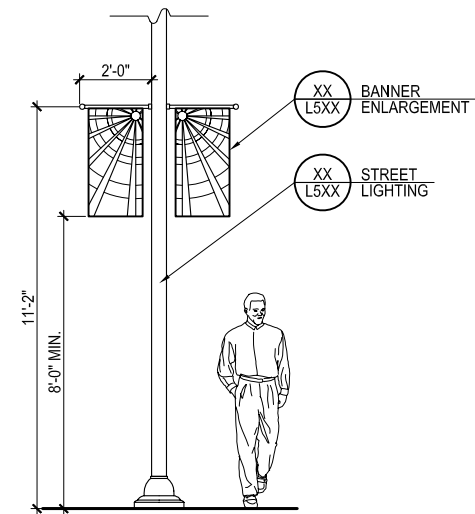


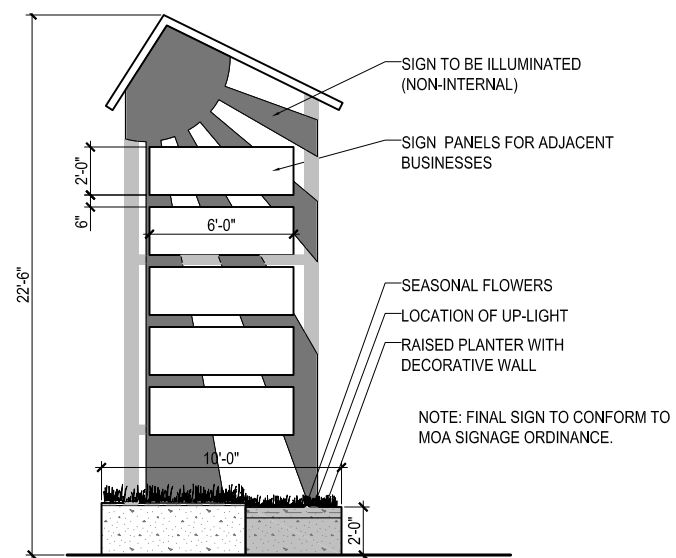
5 STREET LIGHTING
L13 SCALE: NTS dt-file.dwg



3 BOLLARD
L13 SCALE: 1"=1'-0" dt-file.dwg



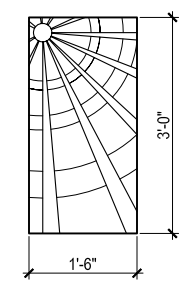
1 BANNER POLE
L13 SCALE: 3/8"=1'-0" dt-pole-bannr.dwg



6 MONUMENT SIGN
L13 SCALE: 1/4"=1'-0" dt-sign-spen.dwg



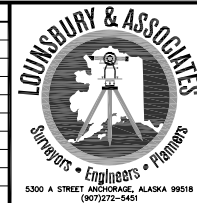
4 BENCH
L13 SCALE: 1/2"=1'-0" dt-file.dwg



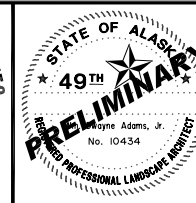
2 BANNER ENLARGEMENT
L13 SCALE: 3/4"=1'-0" dt-file.dwg

NOTE: 15' ht. Banner Poles shall have (2) 1'-0" x 3'-0" Metal Banners as manuf. by: Warning Lights of Alaska (Final Banner Design to be determined)


FIELD BOOKS	BM NO.	LOCATION	ELEV.	DATA	DRAWN BY	CHECKED BY	DATA	DRAWN BY	CHECKED BY	REV	DATE	DESCRIPTION	BY	REV	DATE	DESCRIPTION	BY
DESIGN:				BASE			TELEPHONE			--	--	--					
STAKING:				TOPOGRAPHY			ELECTRIC										
ASBUILT:				PROFILE			CABLE TV										
CONTRACTOR:				SANITARY SEWER			DESIGN										
INSPECTOR:				STORM SEWER			QUANTITIES										
				WATER			MUN. FINAL CHECK										
				GAS													
CONSTRUCTION RECORD				VERTICAL DATUM				PLAN CHECK				REVISIONS					



5300 A STREET ANCHORAGE, ALASKA 99518
(907) 272-5451



PRELIMINARY
No. 10434



PROJECT MANAGEMENT AND ENGINEERING DEPARTMENT
PM&E PROJECT NO.03-22
SPENARD ROAD RECONSTRUCTION
CHESTER CREEK TO BENSON BOULEVARD
LANDSCAPING IMPROVEMENTS
LANDSCAPE DETAILS

H: AS NOTED DATE: JAN 2009 GRIDS: ### SHEET L13 of XX
V: AS NOTED ACCT. NO. 05-037_D